

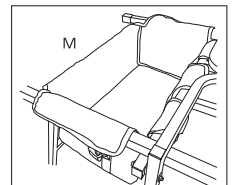
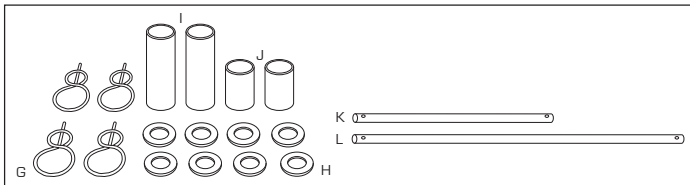
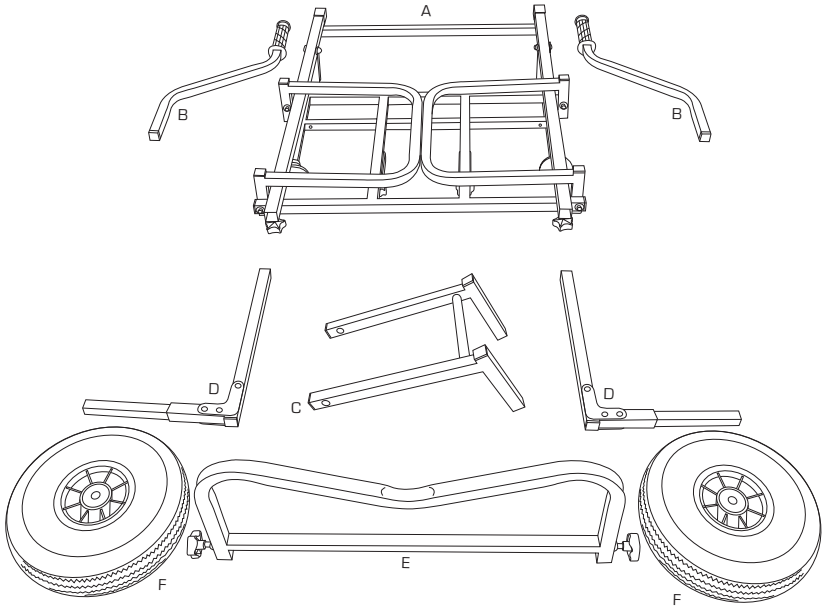
DYNAMIC[®] BARROW



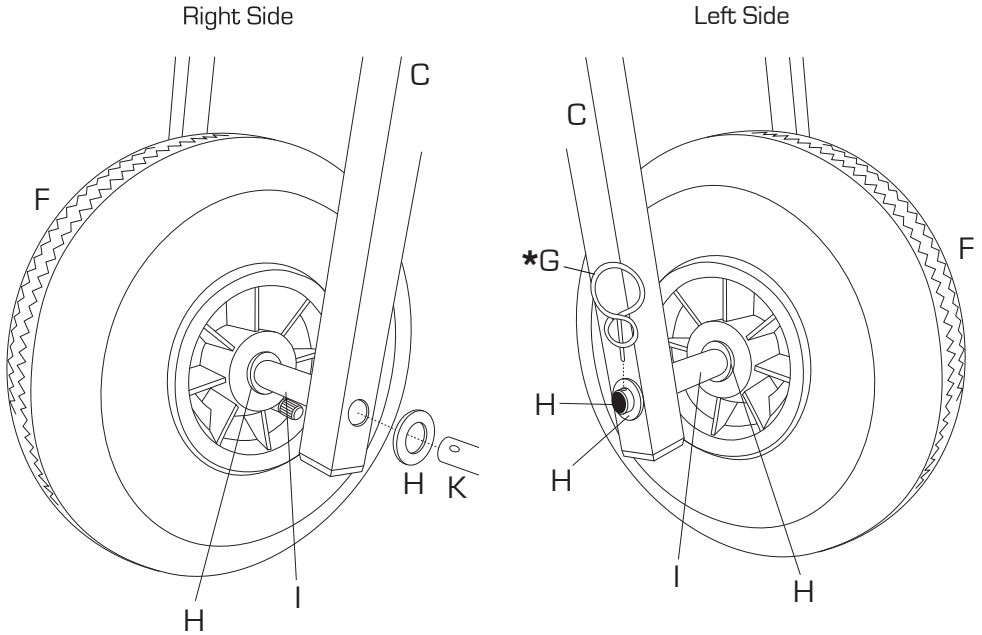
INSTRUCTIONS

Parts List

A	Main barrow frame	H	Washers x 8
B	Handle bars x 2	I	Long wheel spacer x 2
C	Axle frame	J	Short wheel spacers x 2
D	Hinged front bars x 2	K	Single wheel axle bar
E	Front 'V' shaped bar	L	Two wheel axle bar
F	Pneumatic wheels	M	Barrow bag
G	Figure of 8/Lynch pins x 4		



Single Wheel Setup



***NOTE: 1 piece G will need to be clipped on to both sides of wheel.**

Two Wheel Setup

